

# Crowd Control Barrier



Designed to Fit.  
Built to Last.



# SICO® QUALITY

The Simple Choice for Effective Crowd Control. SICO® Crowd Control Barriers are sold as portable folding free-standing units — in 4' high x 4' or 6' (122cm) high x 4' (122cm) or 6'(183cm) wide mesh panel sections complemented by polyester powder-coated black finish. When sectioned together the units form a sturdy continuous rear security step for security officers.



## *Functional*

Inside and outside corner barrier units allow for multiple functional configurations.



## *Connect with Ease*

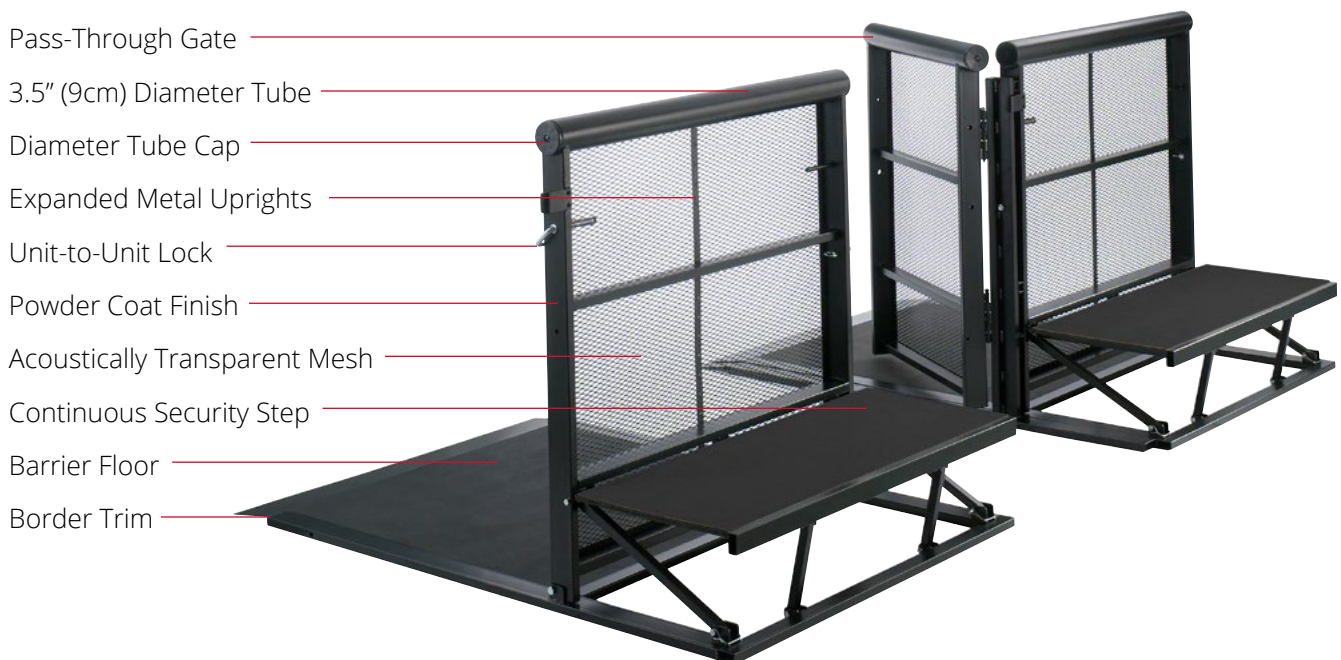
Easily connect multiple units with ease using the sturdy, built-in unit-to-unit connectors.



## *Fold and Store*

Fold all units into a flat position. All units can be placed onto caddies to roll into and out of service.

## *Crowd Control Barrier Features*



# FEATURES & BENEFITS

## Materials

**Frame Material:** The barrier frames are made out of welded steel tubing for maximum strength and durability.

**Acoustically Transparent Mesh:** Each barrier unit features an expanded metal screen that does not block or reflect the sound waves, and it is fine enough to not trap any fingers or loose clothing. The mesh is completely enclosed, eliminating any sharp edges while providing visibility and protection from the crowd.

**Security Step Materials:** Each security step measures 12" deep x 12" high x 4' or 6' wide. The step is permanently attached and pivots into position when set-up. Steps are black vinyl covered and easy to see by security staff. The security steps have a 5/8" (1.6cm) thick x 20" (51cm) wide, plywood substrate, each covered in a rugged floor grade vinyl covering.

**Barrier Floor Materials:** Each barrier floor section measures 1" (2.5cm) thick x 48" (122cm) deep, and runs the complete length of the barrier unit. Each floor section has 1' (30cm) x 2' (61cm) steel framing, with a continuous 6" (15cm) wide metal safety ramp, along the front of each section. The floor surface is Tuff-Deck, a .05" (.13cm) through-color, black plastic surface.

**Powder-Coated Finish:** Textured Polyester powder-coat finish, 2-3 mils thick, Black.

## Frame

**Expanded Metal Uprights:** Provides overall strength to unit.

**3.5" (9cm) Diameter Tube:** Located on top of each barrier unit. This large circular steel tube offers comfort and safety for reaching and pulling rowdy individuals over the barrier unit.

**Diameter Tube Cap:** Each tube end is finished with a mechanically attached plastic cover, eliminating all sharp edges and potentially lost pieces.

**Continuous Rear Security Step:** No loose parts or cross braces. 20" (51cm) step platform depth.

**Unit-to-unit Lock:** Barrier units lock in the folded position for easy handling and compact storage.

**Load Rating:** The 48" (121cm) wide units have a load rating of 150 lbs. /LF (68kg). The 72" (183cm) wide barrier unit has a load rating of 100lbs. /LF (45kg).

**Self-Contained Folding Unit:** No tools required or cross braces make for easy standard set-up. (Gate requires 2 bolts to be used).

## Space Design

Take advantage of our FREE space design service to determine the optimal layout and number of products for your space.

## Unit Sections

Crowd control barriers are sold as portable folding free standing units. They come in 4' (122cm) high x 4' (122cm) or 6' (183cm) wide mesh panel sections.

1. 4' Wide Crowd Barrier- A 48" (122cm) x 48" (122cm) wide unit.

2. 6' Wide Crowd Barrier- A 48" (122cm) x 72" (183cm) wide unit.

3. Outside Corner Barrier- Allows for curved outside configurations.

4. Inside Corner Barrier- Allows for curved inside configurations.

5. Pass-Through Barrier Gate- A swinging barrier gate to enter in and out of crowd barrier fortification.

6. Mobile Tip-Off Crowd Barrier Caddies- Transport 4 or 6 crowd control barrier units to and from storage. Folded barrier units store on mobile caddies designed for six 48" (122cm) or 72" (183cm) wide units.

## Warranty

Protected by a 3-year warranty against manufacturer's defects. Lifetime warranty on welds. Visit [www.sicoinc.com](http://www.sicoinc.com) for warranty details.

**Serial Number:** Permanently marked for easy identification.

# SPECIFICATIONS

Description	Overall Dimensions (WxLxH)	Weight
4' Wide Unit	48" x 72.5" x 48" (122 x 183 x 122cm)	160 lbs (73kg)
6' Wide Unit	72" x 72.5" x 48" (183 x 183 x 122cm)	218 lbs (99kg)
Outside Corner Unit	60" x 65" x 48" (152 x 164 x 122cm)	113 lbs (51kg)
Inside Corner Unit	31.5" x 71" x 48" (80 x 179 x 122cm)	104 lbs (47kg)
Pass-Through Gate	36" x 70.5" x 48" (91 x 178 x 122cm)	86 lbs (39kg)
4' Wide Caddy	67.5" x 47" x 79.5" (172 x 118 x 201cm)	162 lbs (74kg)
6' Wide Caddy	92" x 47" x 79.5" (233 x 118 x 201cm)	293 lbs (133kg)

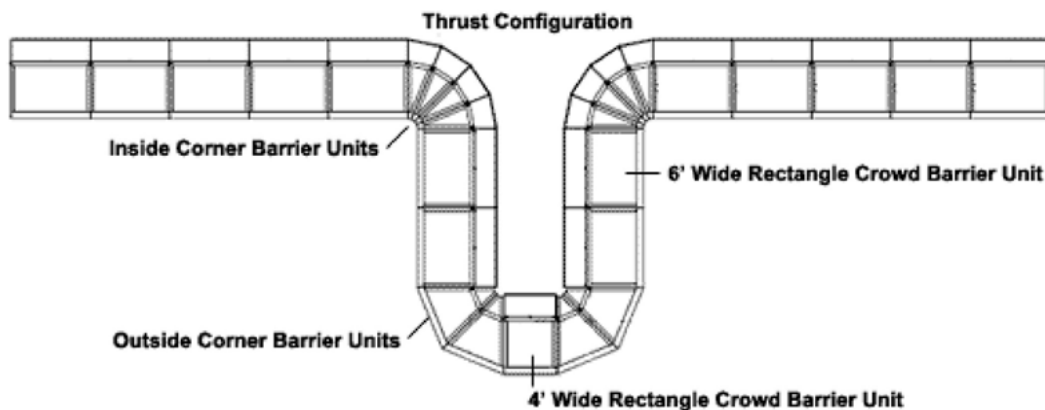
## Transport and Storage

Conveniently fold and store each unit on barrier caddies.



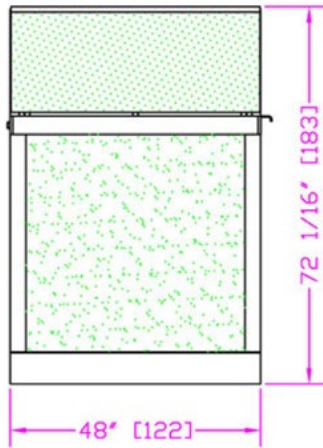
## Barrier Thrust Configuration

A barrier thrust configuration is a great way to diffuse a rowdy crowd from moving left or right. This design also allows for configuring around runway stage layouts.

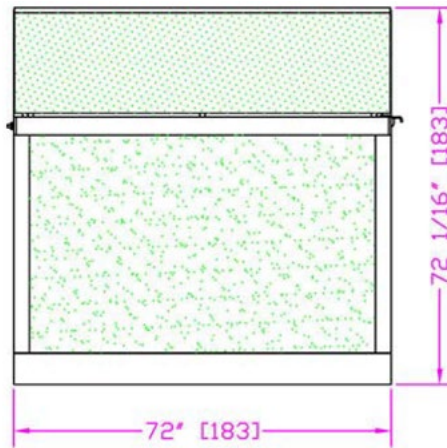


# DIMENSIONS

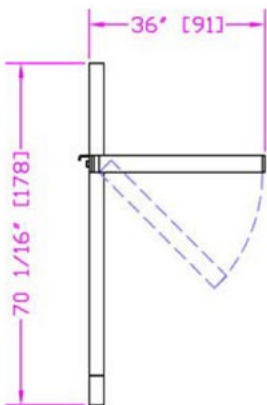
4' Wide Barrier



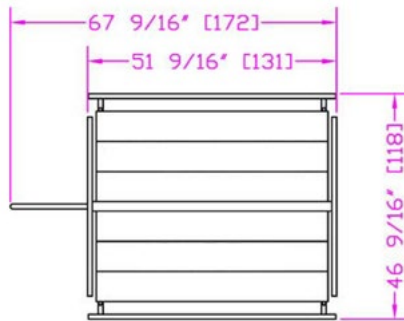
6' Wide Barrier



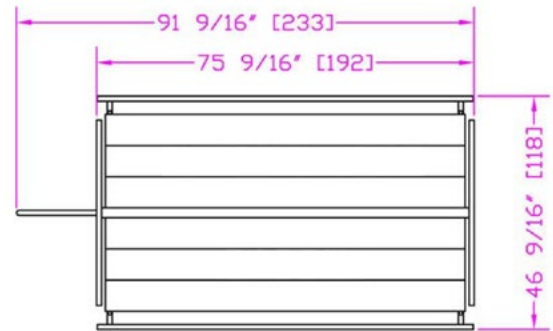
Pass-Through Gate



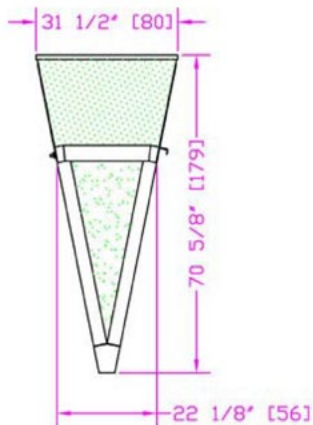
4' Wide Caddy



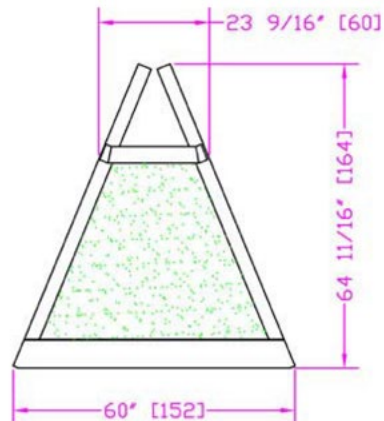
6' Wide Caddy



Inside Corner Unit  
(22.5°)



Outside Corner Unit  
(45°)



WANT TO FIND OUT MORE?

Visit [www.sicoinc.com](http://www.sicoinc.com) to see more of our wide variety of innovative products.



**SICO Incorporated -**  
Global Headquarters

**SICO America Inc.**  
Tel: 1 800 328 6138  
Email: [sales@sicoinc.com](mailto:sales@sicoinc.com)

**SICO Japan Inc.**  
Tel: +81(3) 3288 0145  
Email: [info@sico-japan.com](mailto:info@sico-japan.com)

**SICO Asia PTE LTD**  
Tel: (65) 6500 0800  
Email: [sales@sicoasia.com](mailto:sales@sicoasia.com)

**SICO Middle East DMCC**  
Tel: (971) 4 422 8259  
Email: [sales@sico-me.com](mailto:sales@sico-me.com)

**SICO Europe Limited**  
Tel: +44(0) 1303 234 000  
Email: [sales@sico-europe.com](mailto:sales@sico-europe.com)

**SICO South Pacific Limited**  
Tel: +61(2) 4336 1333  
Email: [sales@sicosp.com.au](mailto:sales@sicosp.com.au)