

# BY-65 Bench Table



Easy Lifting Tables.  
Forever.  
Guaranteed.



*Pictured: BY-65 Bench Table  
10' Length; 27" Height  
Black Armor-Edge  
Grey Nebula Laminate*

# SICO® QUALITY

The BY-65 is the perfect choice when space is tight and you need to maximize seating. And... it's even lighter and stronger with an UltraLight MDF table top core, three table top shapes, HSLA legs, nearly 200 laminate patterns for tops and benches, 12 Armor-Edge® colors, and the EXCLUSIVE SICO® Strut™ lift assist. Never worry about lifting a heavy table again. Ever. Guaranteed.



## Caster & Thread Guard

Thread guard prevents debris entering the bearing and adds a pop of color.



## HSLA Steel Legs

High Strength Low Alloy steel.  
Lighter and stronger.  
Double the yield strength of competitive tables.



## SICO® Strut™

Lift assist. No loss of power. No maintenance. No more heavy tables over time. No worries!

## BY-65 Bench Table Features

High-Pressure Laminate Top Surface

Ultralight MDF Core Table Top

Three Table Top Shapes

Solid Wood Core Flip-Up Bench

SICO® Armor-Edge®

SICO® Strut™ Lift Assist

Center Gravity Lock Bar

HSLA 16 Gauge Steel Tube Frame

Powder Coat or Chrome Leg Finish

4" (10cm) Caster with Thread Guard



## Exclusive SICO® Strut™ Lift Assist

**No Loss of Power:** Never lose lifting power for the lifetime of the product. Guaranteed.

**No Maintenance:** No exposed operating components. No parts to replace. No lubricating required. Constructed using a patented design.

## Table Top

### **UltraLight MDF Core Table Top:**

Made with extremely durable 18mm MDF manufactured using 100% fresh pine fiber. Stronger than plywood or particleboard, light-weight, and resists warping.

### **High-Pressure Laminate:**

Tough .040" (.10cm) thickness high-pressure laminate for added durability and long-term wear. Nearly 200 standard colors and patterns are available to fit any cafeteria decor.

**SICO® Armor-Edge®:** The most durable edge available. Provides an incredibly tough edge to take hard everyday use without damage. Hermetically seals the tabletop for sanitary purposes and prevents moisture from entering table top core. Available in 12 standard colors.

### **Multiple Sizes & Top Shapes:**

Choose from multiple lengths and seating capacities with three top shape options, Rectangle, Lightning and Flow.

### **Center Gravity Lock Bar:**

½" (1.3cm) center gravity lock bar prevents anyone from raising center of table by sitting on the table end. Easily released from either side.

## *Exclusive SICO® Strut™ Lift Assist*

**No Loss of Power:** Never lose lifting power for the lifetime of the product. Guaranteed.

**No Maintenance:** No exposed operating components. No parts to replace. No lubricating required. Constructed using a patented design.

# FEATURES & BENEFITS

## Table Legs

**HSLA 16 Gauge Tube:** High strength low alloy steel tube delivers a yield strength of 70,000 psi, double the yield strength of competitors tables while being lighter in weight. Flexibility is designed into the legs to allow for contained motion and the way students use the tables today.

**Leg Retainer:** Heavy duty, low-friction polymer leg retainer holds legs securely into the frame. Eliminates any metal-on-metal wear and no need for maintenance at this pivot point.

**Protective Neoprene Glides:** Non-marring contact with floor keeps table in place and prevents floor damage. Reinforced glides contain metal washers to prevent leg tubes from breaking through bottom.

**Aircraft Lock-Nuts:** Tamper-resistant lock-nuts are used at all mounting points and won't loosen over time.

## Limited Lifetime Warranty

Protected by a Lifetime Warranty on welds and SICO® Strut™. Limited Lifetime Warranty on table system. Visit [www.sicoinc.com](http://www.sicoinc.com) for all warranty details.

**Serial Number:** Tables are permanently marked for easy identification.

## Space Design

Take advantage of our FREE Space Design service to determine the optimal layout and number of products for your space.

## Bench Seating

**Solid Wood Core:** 11/16" (2.7cm) thick, supporting up to 1,000 lbs (454kg) distributed load on each bench.

**Flip-up Benches:** Benches flip up to cut cleaning time. Clean floors without moving the unit.

**Increased Seating:** A 12' (366cm) BY-65 can seat up to 16 elementary age children, maximizing the use of space.

**Longer Benches:** Benches are the same length as the top. Competitors' units have reduced capacity because their benches are significantly shorter than the top.

## Transport & Storage

**Caster:** Each BY-65 has four 4" (10cm) non-marking casters with a wide surface area for smoother rolling. Stems on each caster are solid steel. Plastic thread guards prevent the accumulation of debris keeping wheel rotating freely. The thread guard is available in a variety of colors.

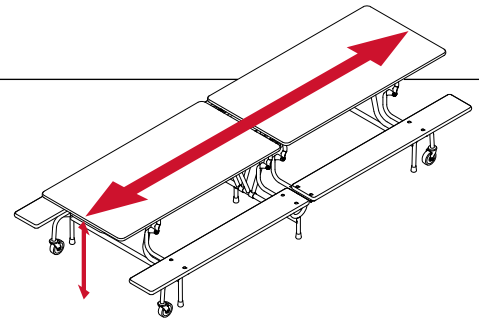
**Transport Lock:** The handle unlocks the latch from either side of the table, allowing the SICO® Strut™ to assist in lowering the table slowly into the use position.

**Mobility and Storage:** The robust caster and SICO® Strut™ make table lifting easy. Simply lift in the center and roll into use or storage. No caddies needed.

# OPTIONS

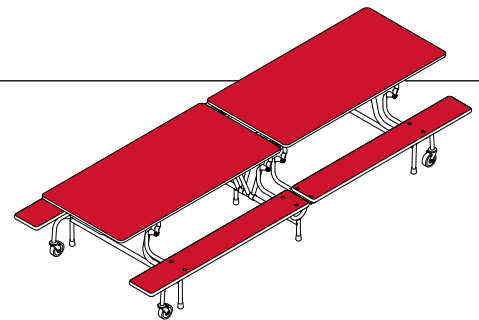
## Choose Size & Shape

Choose from 8' (2.5m), 10' (3m) or 12' (3.7m) table lengths. Then choose from 25" (64cm), 27" (69cm) or 30" (76cm) table heights to accommodate your students. Rectangle, Lightning and Flow shape tops are available in all sizes.



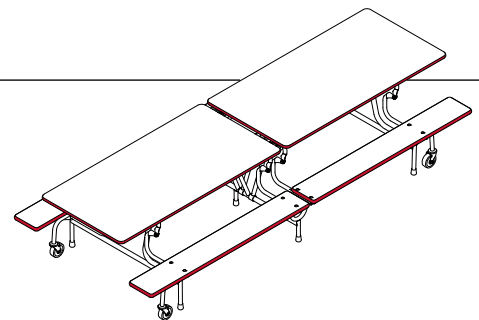
## Choose Top & Bench Laminate

Choose from nearly 200 standard high pressure laminates for a custom look. Visit [www.sicoinc.com](http://www.sicoinc.com) for a complete list of standard options that are sure to complement your space.



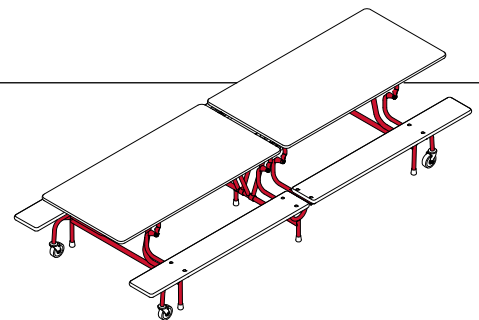
## Choose Armor-Edge® Color

The most durable edge available comes in a wide variety of colors. Customize the look of your table and choose colors to match or accent table top and bench laminate. Armor-Edge is placed around the perimeter of the table top and the benches.



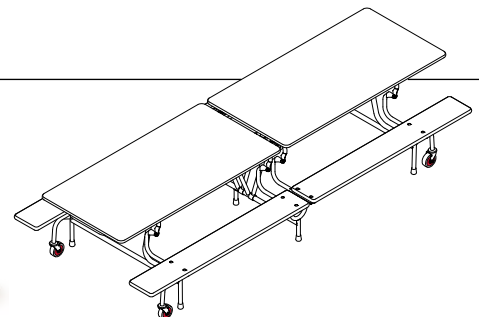
## Choose Leg Color

Choose from four standard leg finishes. Choose either the high finish and classic look of polished chrome or the durable beauty and neutral colors of a slightly textured powder coat.



## Choose Caster Thread Guard Color

The robust caster design features a plastic thread guard that does not move when the wheel spins preventing accumulation of debris in the bearing. The thread guard is available in color options to match or accent Armor-Edge® colors.



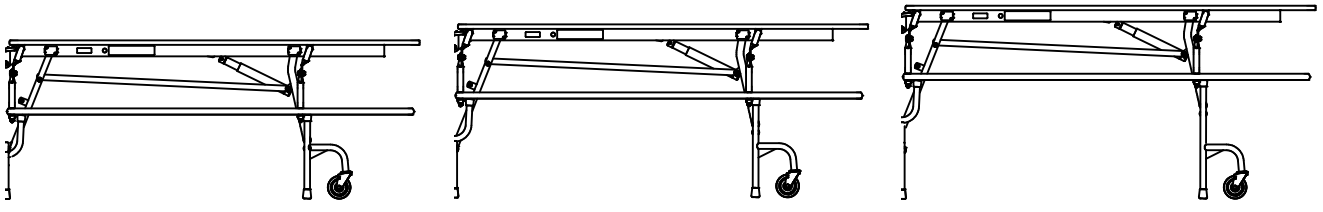
# THINK BIG!

## Size & Shape

25" (64cm)

27" (69cm)

30" (76cm) ADA

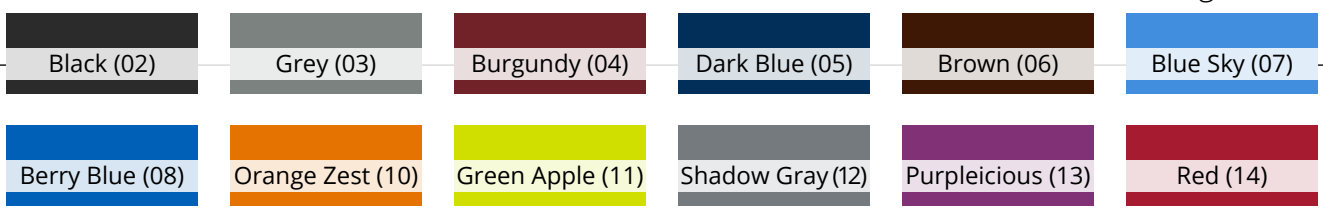


## Top Laminate

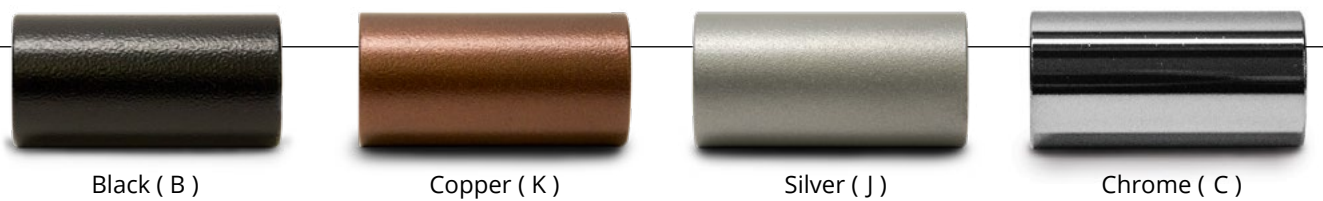


Choose from almost 200 standard laminates

## Armor-Edge® Color

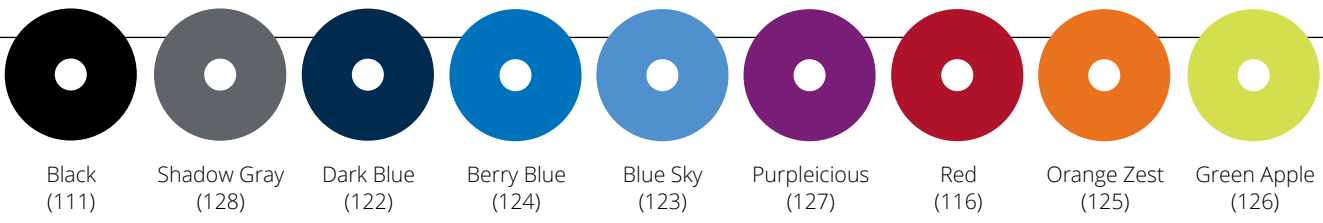


## Leg Color



\*Additional Options Available

## Caster Thread Guard Color



\*All colors are representative only

# SPECIFICATIONS

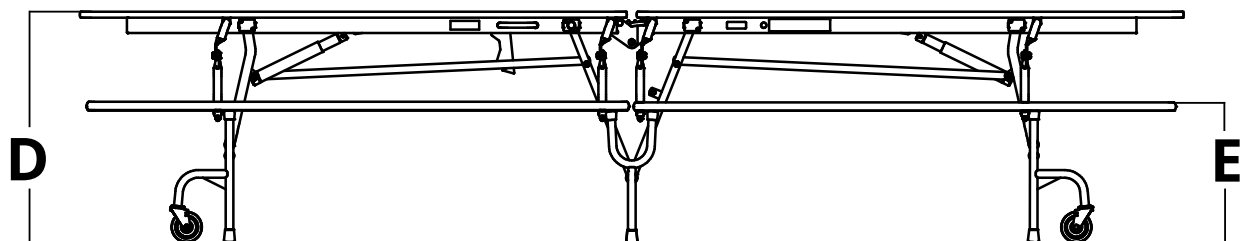
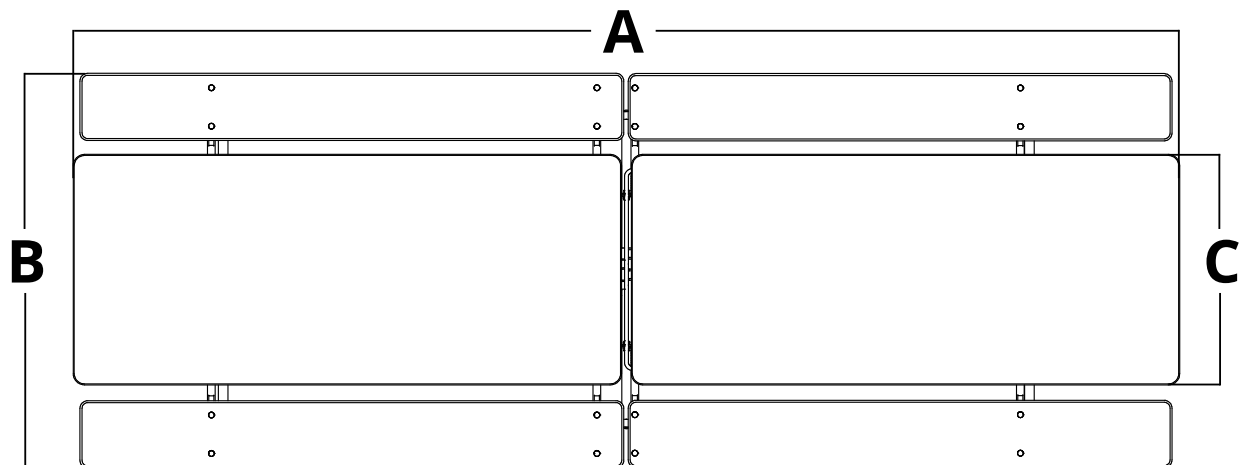
## Ordering Information *(Rectangle, Lightning and Flow Top Shapes)*

Description	Seating Capacity	Weight
8 Foot BY-65	10 Children / 8 Adults	170 lbs. (77kg)
10 Foot BY-65	12 Children / 10 Adults	203 lbs. (92kg)
12 Foot BY-65	16 Children / 12 Adults	231 lbs. (105kg)

**Seating Capacity:** Averaged for elementary school (children) or high school (adult) sizes.

## In-Use Dimensions

Description	<b>A</b> Table Length	<b>B</b> Table Width	<b>C</b> Top Width	<b>D</b> Top Height	<b>E</b> Seat Height
8 Foot BY-65	8' (2.5m)	51.5" (131cm)	Rectangle- 30" (76cm)	25" (64cm)	13.5" (35cm)
10 Foot BY-65	10' (3m)		Lightning- 31.5" (80cm)	27" (69cm) or	15.5" (40cm) or
12 Foot BY-65	12' (3.7m)		Flow- 30.5" (78cm)	30" (76cm)	18.5" (47cm)

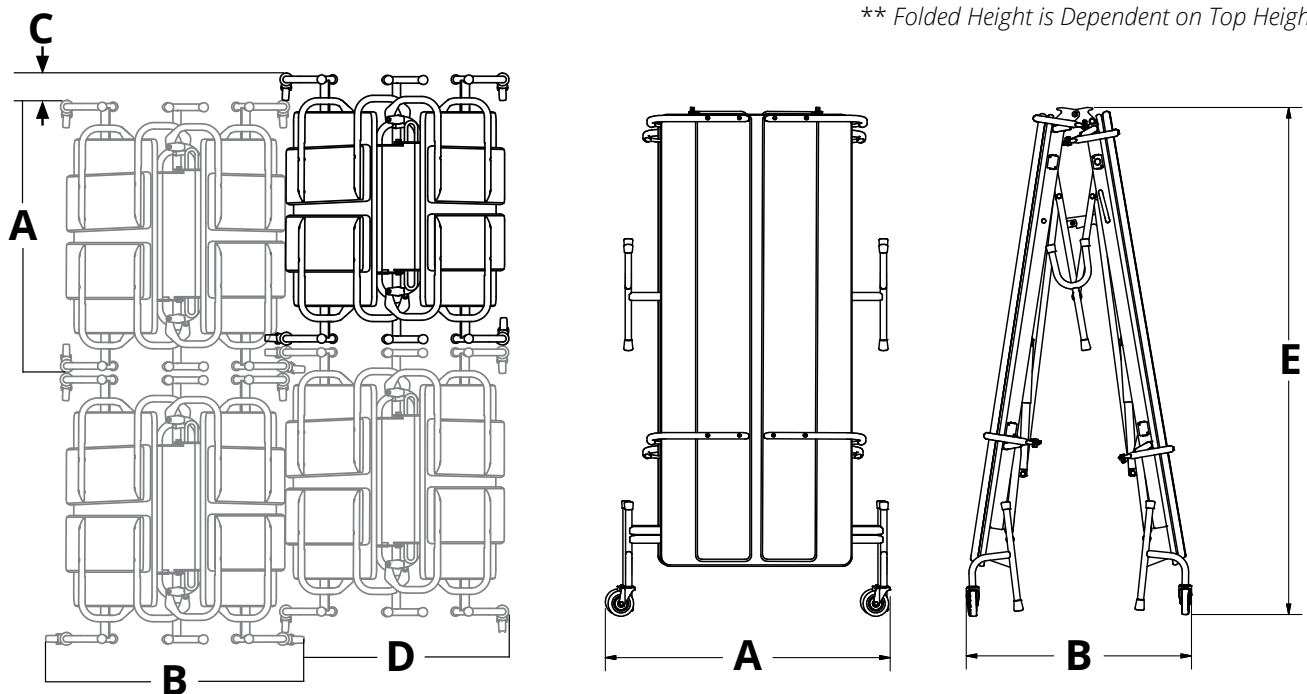


# STORAGE

## Storage Dimensions (Rectangle, Lightning and Flow Top Shapes)

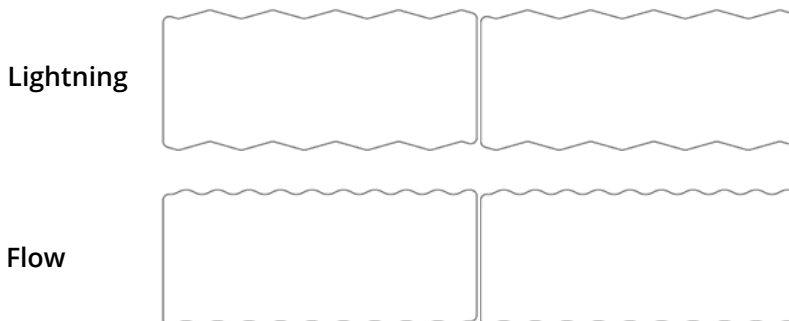
Description	A Footprint Length (Single Unit)	B Footprint Width (Single Unit)	C Add'l Footprint Length (per table added)	D Add'l Footprint Width (per table added)	E Height** (Folded)
8 Foot BY-65	42" (107cm)	36" (92cm)	4.5" (12cm)	34.5" (88cm)	61" (155cm)
10 Foot BY-65		34" (87cm)		31" (79cm)	70.5" (179cm)
12 Foot BY-65		35.5" (90cm)		34" (87cm)	79.5" (202cm)

\*\* Folded Height is Dependent on Top Height



## Lightning & Flow Table Top Shapes

Elevate the look and flow of your space by using our Lightning & Flow table shapes.



## Nesting Storage

Save space when storing these tables as a group. The legs nest within the adjacent table.





*WANT TO FIND OUT MORE?*

Visit [www.sicoinc.com](http://www.sicoinc.com) to see more of our wide variety of innovative products.



**SICO Incorporated -**  
Global Headquarters  
**SICO America Inc.**  
Tel: 1 800 328 6138  
Email: [sales@sicoinc.com](mailto:sales@sicoinc.com)

**SICO Japan Inc.**  
Tel: +81(3) 3288 0145  
Email: [info@sico-japan.com](mailto:info@sico-japan.com)

**SICO Asia PTE LTD**  
Tel: (65) 6500 0800  
Email: [sales@sicoasia.com](mailto:sales@sicoasia.com)

**SICO Middle East DMCC**  
Tel: (971) 4 880 9388  
Email: [sales@sico-me.com](mailto:sales@sico-me.com)

**SICO Europe Limited**  
Tel: +44(0) 1303 234 000  
Email: [sales@sico-europe.com](mailto:sales@sico-europe.com)

**SICO South Pacific Limited**  
Tel: +61(2) 4336 1333  
Email: [sales@sicosp.com.au](mailto:sales@sicosp.com.au)