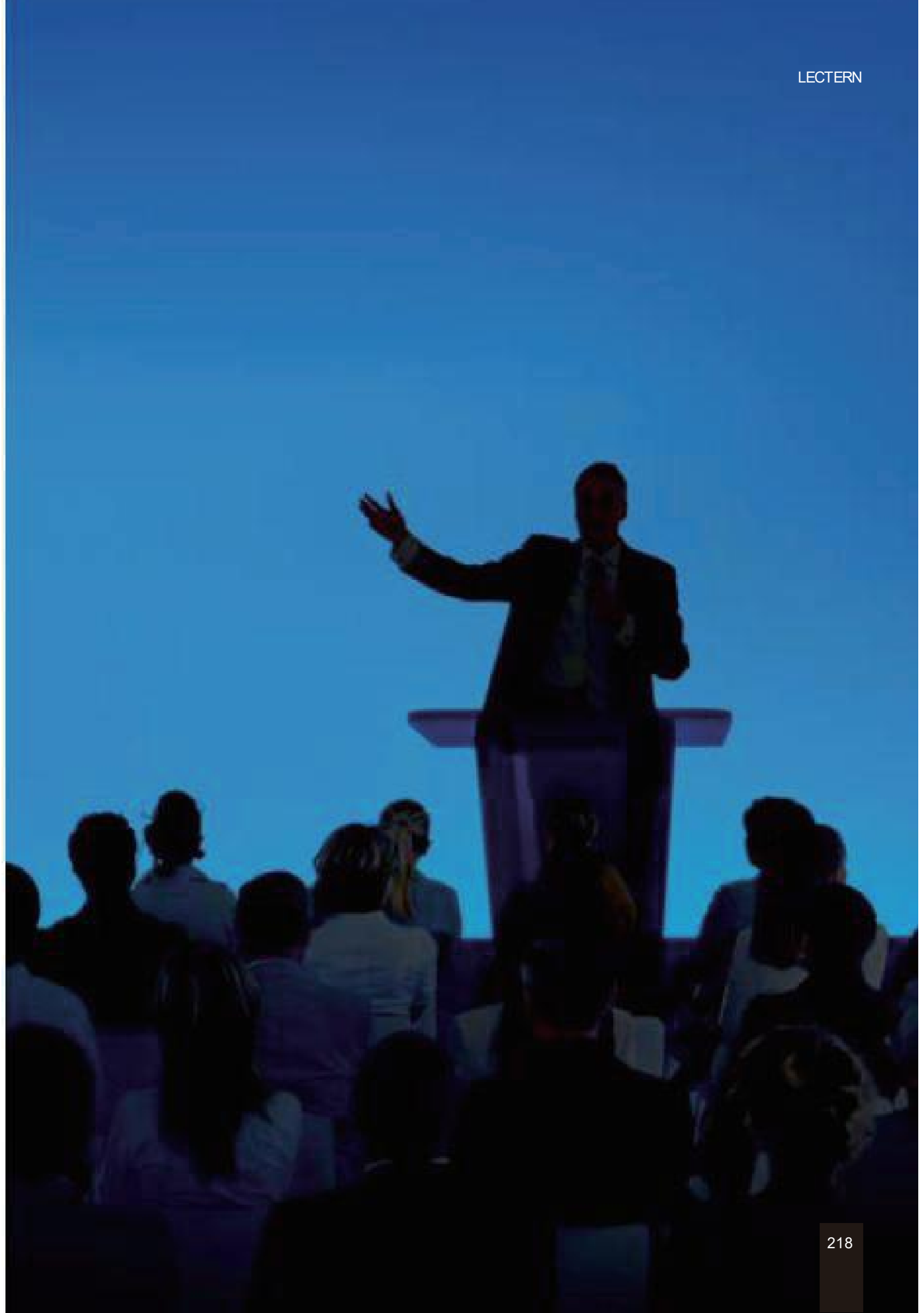




LECTERN

Traditional – Modern / Fixed & Adjustable Height



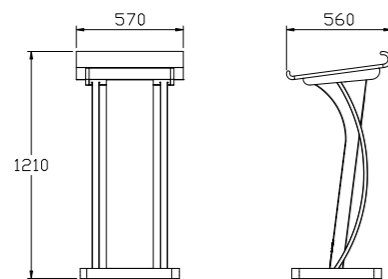
LECTERN – FIXED HEIGHT



New Lectern

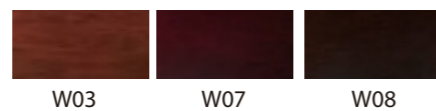
Wooden Slim Podium;

- Wood Structure with high quality furniture lacquer finish
- Stainless Steel Support
- Build-in power sockets and micro phone jack
- Reading Lamp



PA0AA

Wood Color Options



Optional:

- Logos can be added (different materials & finishes available)
- Various colours to choose from



PG3EB – Adjustable height

Besides our standard features, this podium also come with:

- ABS protection rim for top section
- Two rear casters for easy transportation
- Heavy-duty steel base – enhances the durability

Customized Logo (Optional)

- * Removable – magnetic attached



Top Configuration:

- Power Socket
- VGM Connector
- Microphone Jack (Mic is not included)
- Lighting System



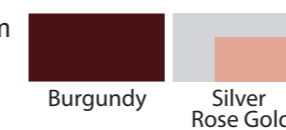
LCD Screen (Build -in)

PG1EB – Adjustable height

Color Options



ABS Protection Rim & Top Side Panel



LECTERN – FIXED & ADJUSTABLE HEIGHTS

This stylish wooden lectern is great for VIP presentations; either in fixed or adjustable height version available, it always leaves a great impression...



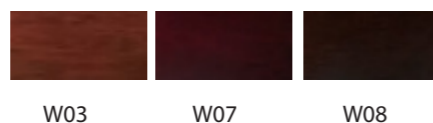
Front View
PI0AA



Design Features:

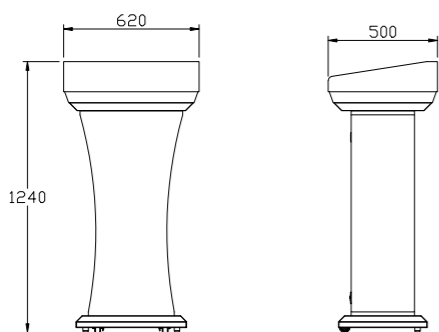
- ▶ Wooden Structure – plywood with wood grain veneer in paint & furniture lacquer finish
- ▶ Durability – strong steel base & decoration rim
- ▶ Mobility – the two rear casters allow you to move it with easy
- ▶ Logo – Optional

Wood Color Options



Top Configuration:

- ▶ Flower Tray
- ▶ Build-in Power VGA Socket
- ▶ Reading Light
- ▶ Micro Phone Jack (Mic is not included)



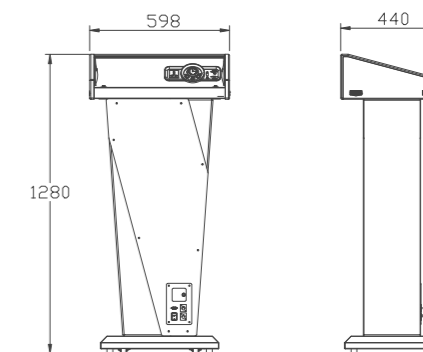
Back View

LECTERN – FIXED HEIGHT

No visible wooden parts; the body finish is modern and durable.

Standard Features include:

- ▶ Aluminum Body, ABSTop, Steel base with powder coat
- ▶ Build in reading light
- ▶ Various outlets; power, VGA, microphone jack



PH0AA

Optional:

- ▶ Logos can be added – Customized

Aluminum Podium with Steel Base and ABSTop
*** LED Lighting with remote control

Color Options



ABS Protection Rim & Top Side Panel



LECTERN



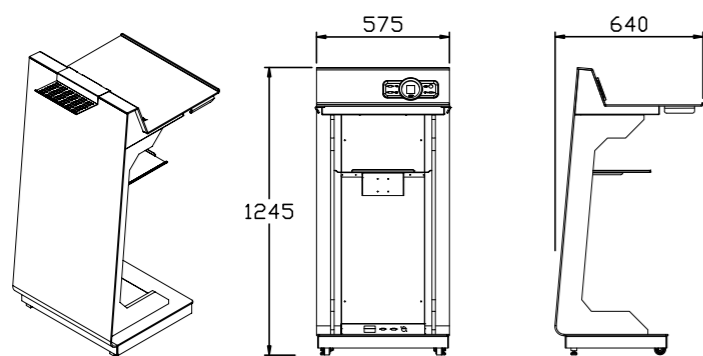
LECTERN – FIXED HEIGHT



Design Features:

- Aluminium Structure; light-weight with powder epoxy coat
- Standard Setup; Universal power socket, microphone jack, reading light
- Mobility – the two rear casters allow you to move it with easy
- Stability – strengthen with steel inner base

PJ1AC



Color Options



LECTERN – UP AND DOWN



Design Features

- Durable aluminum frame
- Storage tray Optional
- Optional LCD display
- Screen 4 casters for easy mobility
- Includes all standard podium configurations

PJ1BC



Suitable for speakers of different heights With the push of a button

the podium's height can be adjusted, with a maximum range of 200mm, allowing it to be raised or lowered to any suitable height according to the speaker's needs.